

## BARREL – AND MACHINE PUMP

### Set COMET-IN 12 V

article number: 1660.00.50



#### components:

- submersible pump COMET-IN 12 V; resistant against damage; 4 m cable, filter clip with microfilter inlay (art.-nr.: 1601.57.03)
- 4 m PVC-hose with texture (art.-nr.: V4.1135)
- transformer-rectifier 230 VAC / 12 VDC, 2.5 A with switch, 1.5 m cable (art.-nr.: 3371.06.00)
- tube clips (art.-nr.: 3942.06.00)
- fibre microfilter in packs of 5 (art.-nr.: 3052.01.00)

#### technical datas submersible pump:

- supply voltage: 12 VDC
- throughput: max. 10.2l/min
- pressure: max. 0.8 bar
- power: 10 - 25 W
- diam./ height: max. 46 mm /141 mm

electrical connection: brown to plus  
blue to minus

#### special use for pumping of:

- light mineralic oil, fuel oil and diesel oil;
- cooling emulsions and dielectrica;
- weak acids and bases (not for sulphuric acid).



# NOT TO USE WITH PETROL!



## BARREL – AND MACHINE PUMP

Set COMET-IN 24 V

article number: 1660.00.54



### components:

- submersible pump COMET-IN 24 V; resistant against damage; 4 m cable, filter clip with microfilter inlay (art.-nr.: 1605.57.03)
- 4 m PVC-hose with texture (art.-nr.: V4.1135)
- transformer-rectifier 230 VAC / 24 VDC, 2.5 A with switch, 1.5 m cable (art.-nr.: 3380.05.00)
- tube clips (art.-nr.: 3942.06.00)
- fibre microfilter in packs of 5 (art.-nr.: 3052.01.00)

### technical datas submersible pump:

- supply voltage: 24 VDC
  - throughput: max. 14 l/min
  - pressure: max. 0.8 bar
  - power: 30 - 40 W
- diam./ height: max. 46 mm / 141 mm

electrical connection: brown to plus  
blue to minus



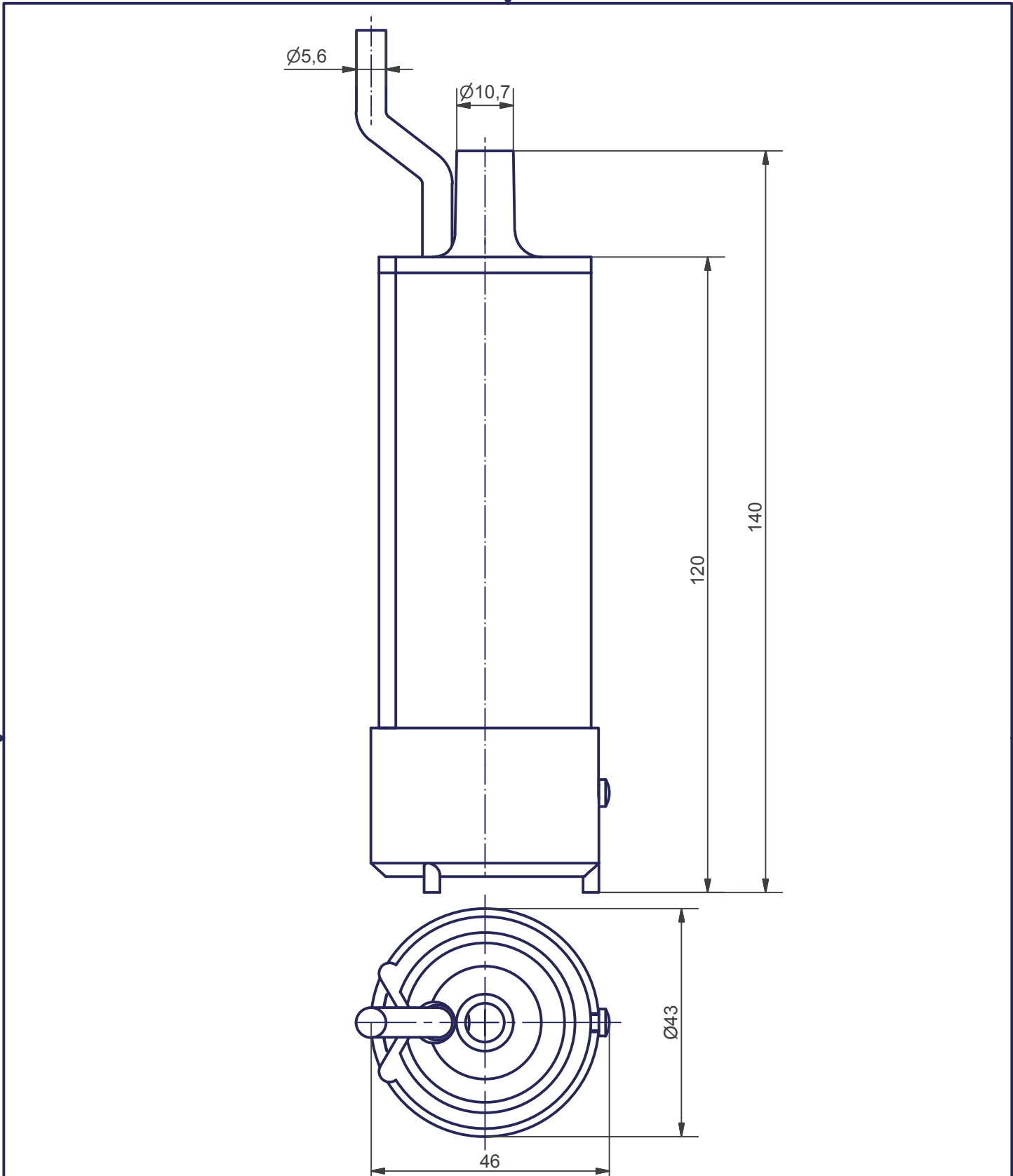
### spezial use for pumping:

- light mineralic oil, fuel oil and diesel oil;
- cooling emulsions and dielectrica;
- weak acids and bases (not for sulphuric acid).

# NOT TO USE WITH PETROL!

Technische Änderungen vorbehalten. A09.14





				Allgemein- toleranz ISO 2768-f	Oberfläche	Maßstab: 1:1	Datei: 16015703.idw
				Material:			
8				Datum	Name	<b>Tauchpumpe COMET_IN</b> 12 V 1601.57.03	
7			Gezeichnet	01.08.2012	Pferner		
6			Kontrolliert				
5			Norm				
4			Werkzeugnummer				
3				<b>COMET-PUMPEN</b> Systemtechnik GmbH & Co. KG Industriestraße 5 37308 Paffschwende		1	
2						A4	
1							
Zust.	Änderungen	Datum	Name	Ers. für			Ers. durch